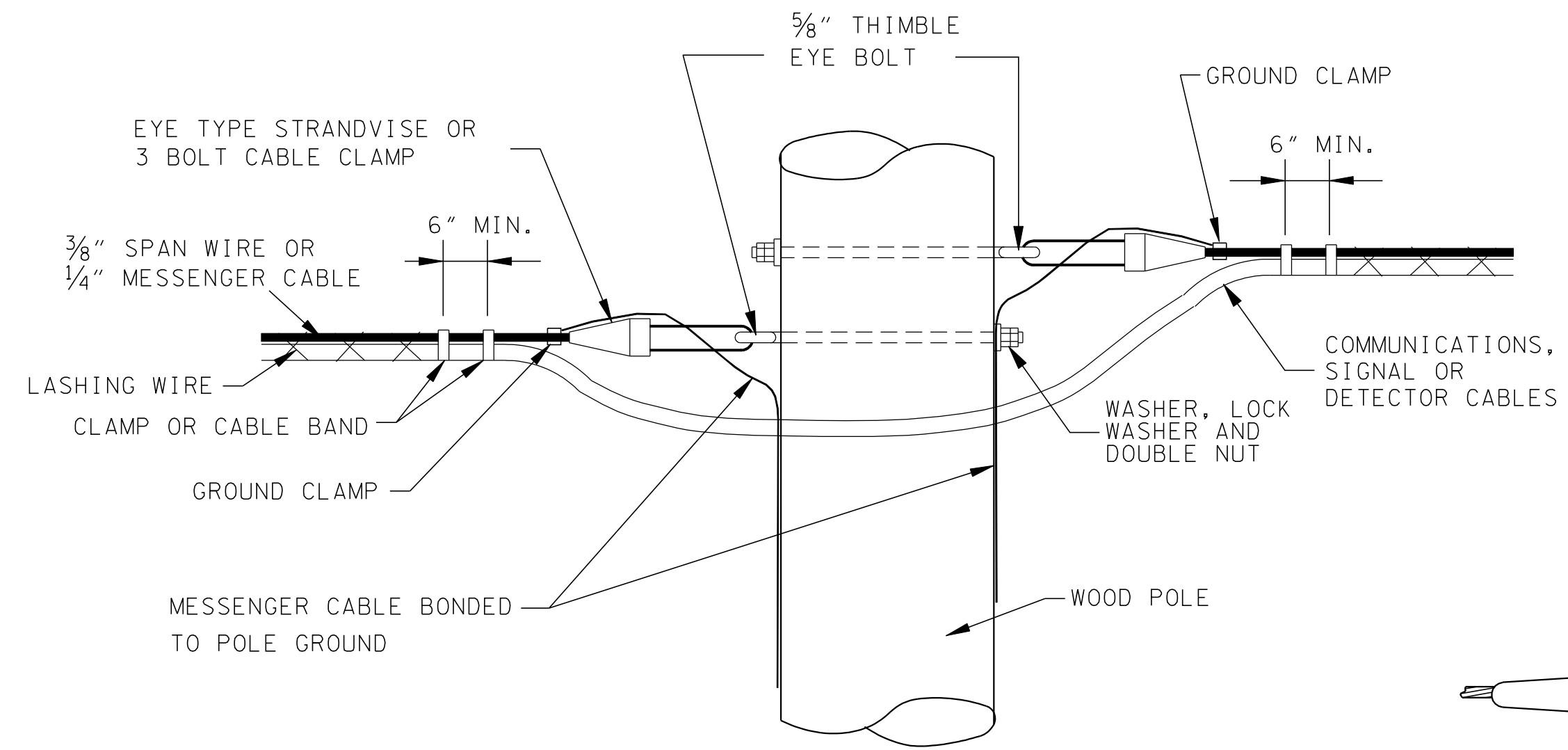
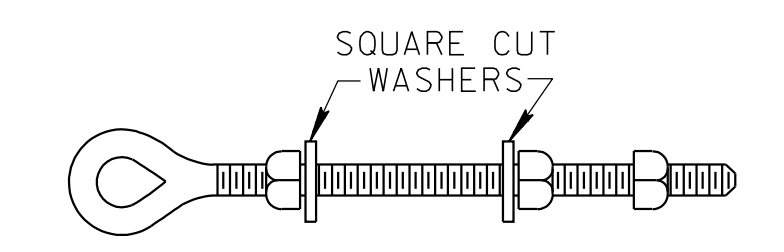


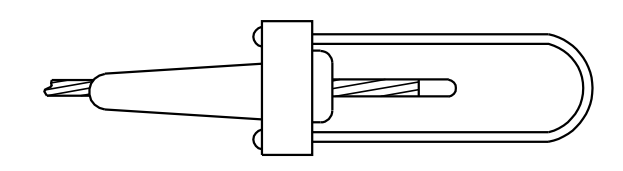
TYPICAL CABLE CONTINUATION-SAME MESSENGER CABLE



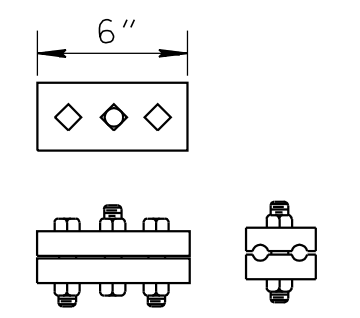
ALTERNATE CABLE CONTINUATION-SEPARATE MESSENGER CABLE



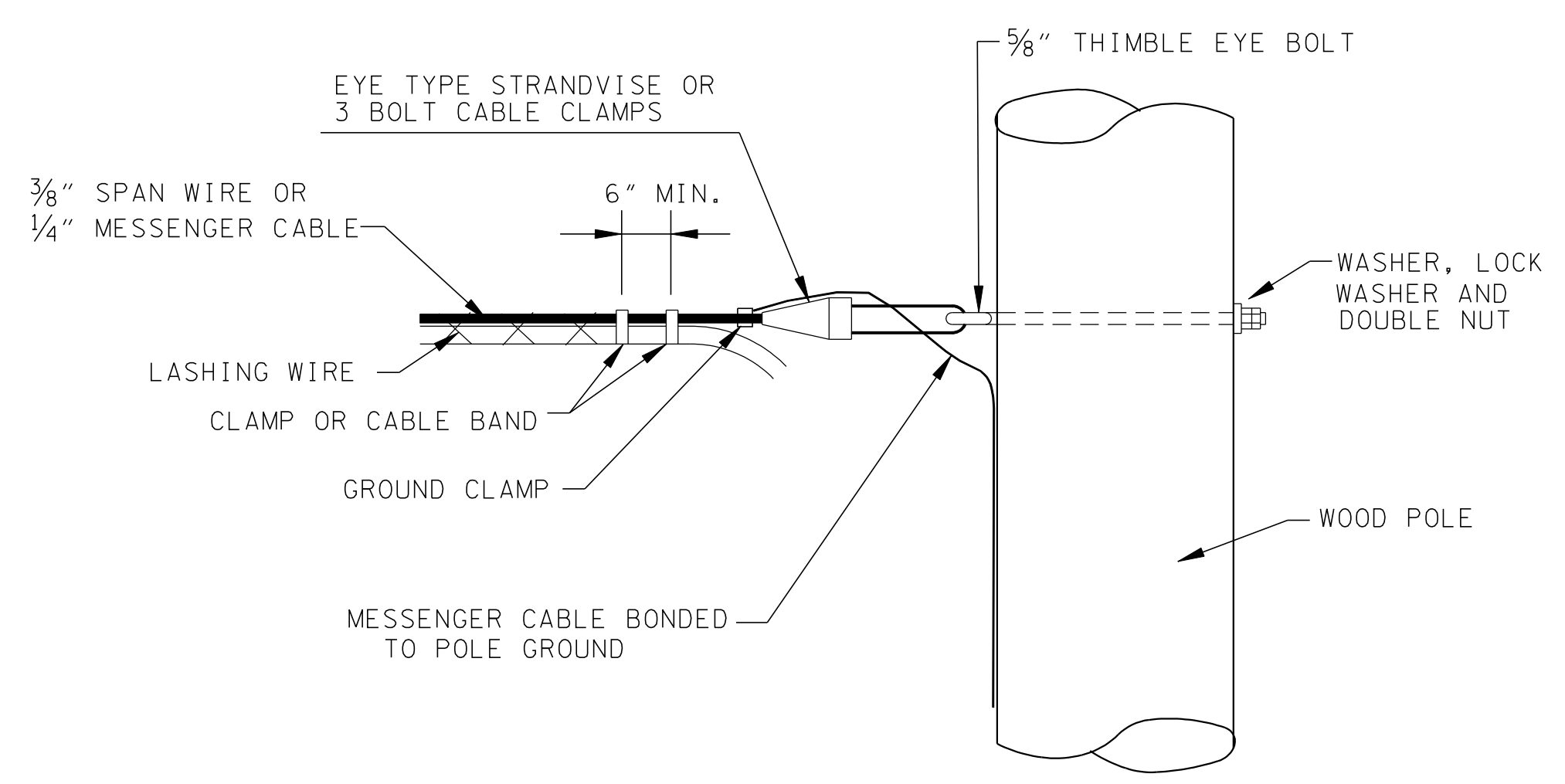
THIMBLE EYE BOLT
EYE BOLT SHALL EXCEED TENSILE STRENGTH OF SPAN WIRE



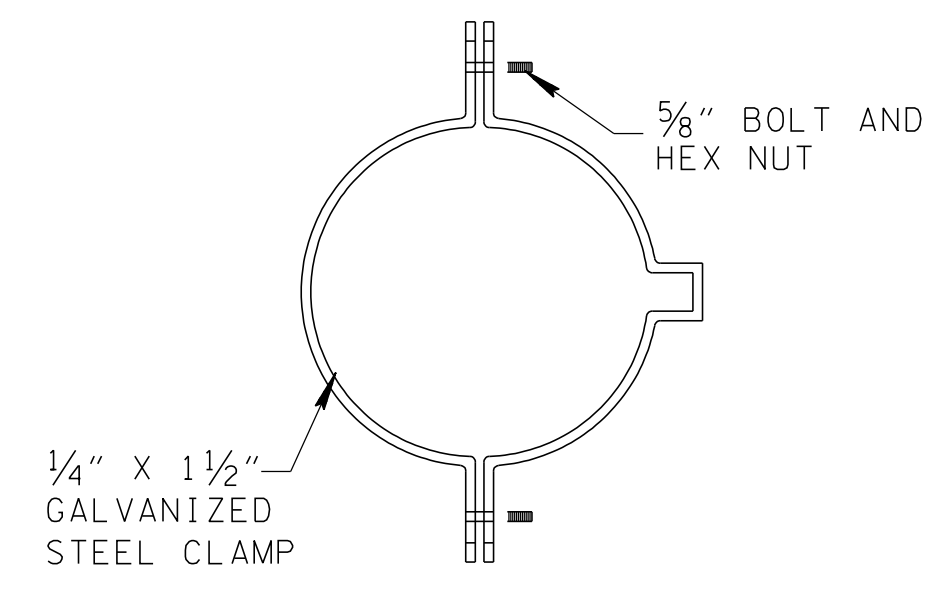
CABLE DEAD END OR STRAND VISE



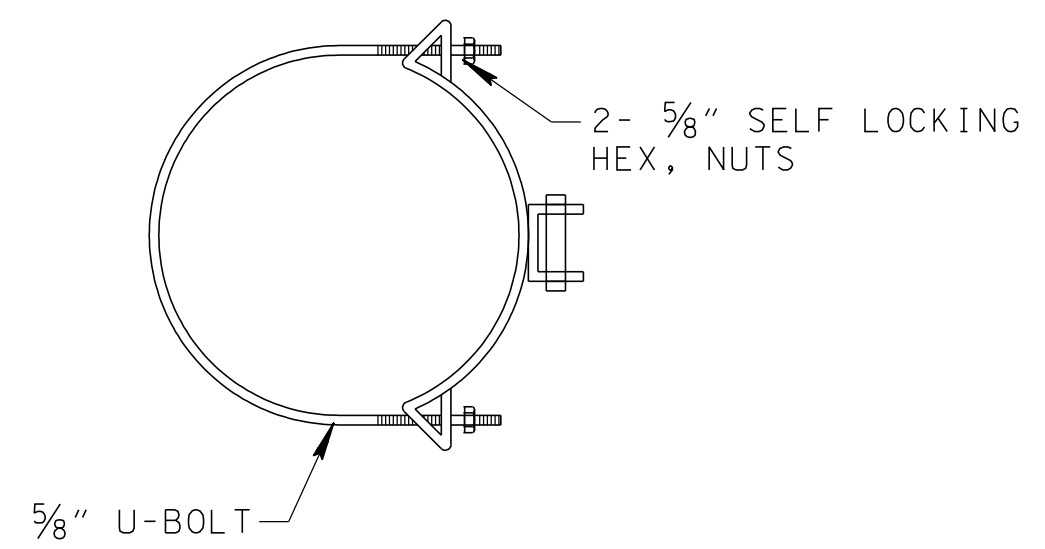
THREE BOLT CLAMP



TYPICAL POLE ATTACHMENT DETAIL FOR MESSENGER DEAD END

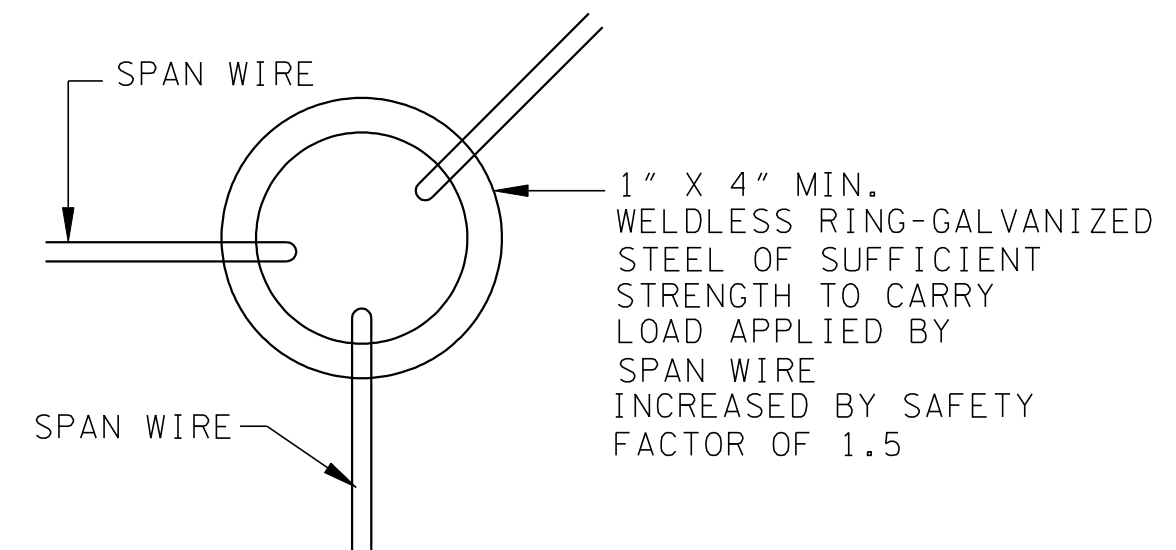


SPLIT CLAMP

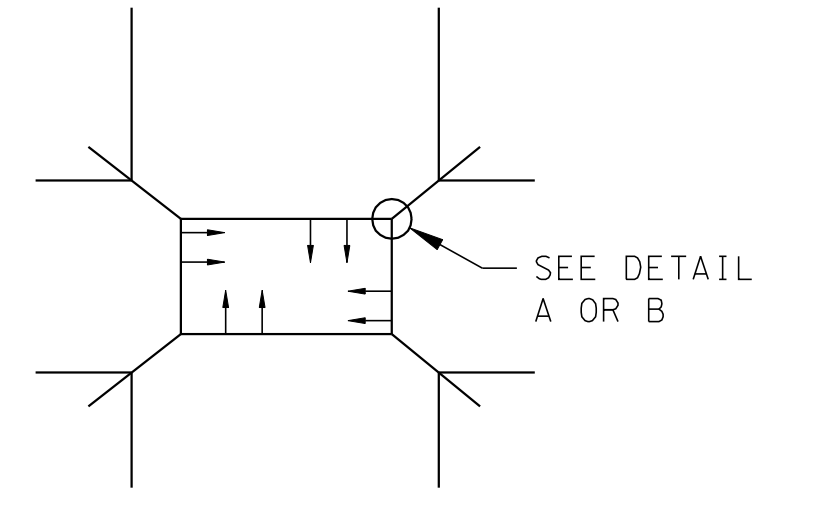


U-BOLT CLAMP

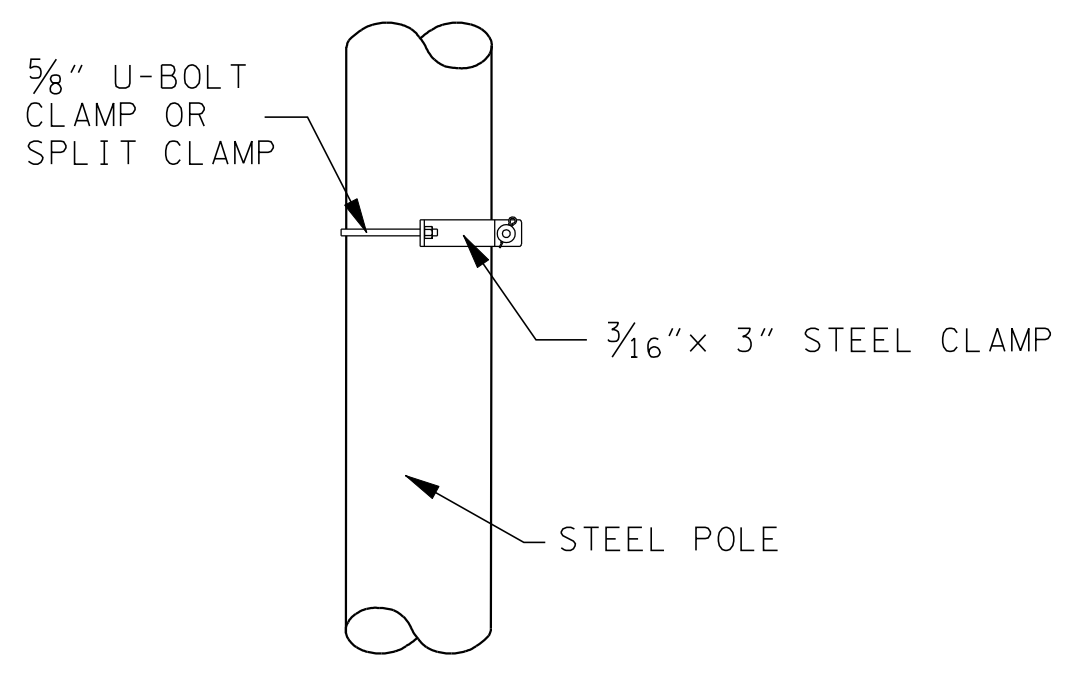
- GENERAL NOTES**
- (A) MINIMUM 3/8" SPAN WIRE SHALL BE USED TO SUPPORT TRAFFIC SIGNALS, SIGNS AND SIGNAL CABLES. 1/4" MESSENGER CABLE SHALL BE USED ONLY TO SUPPORT COMMUNICATIONS, SIGNAL OR DETECTOR CABLES.
 - (B) IF IT IS NECESSARY TO RUN POWER SERVICE CABLE FROM ONE SIGNAL (STRAIN OR WOOD) POLE TO ANOTHER, THE POWER SERVICE CABLE SHALL BE LASHED TO ITS OWN MESSENGER CABLE 2 FEET ABOVE THE SIGNAL CABLE.
 - (C) DEAD END ATTACHMENTS TO BE UTILIZED ON ALL TRANSFERS FROM UTILITY POLES TO THE SIGNAL POLES.
 - (D) ALL MESSENGER CABLE WITH FIBER OPTIC CABLE SHALL BE DOUBLE LASHED.



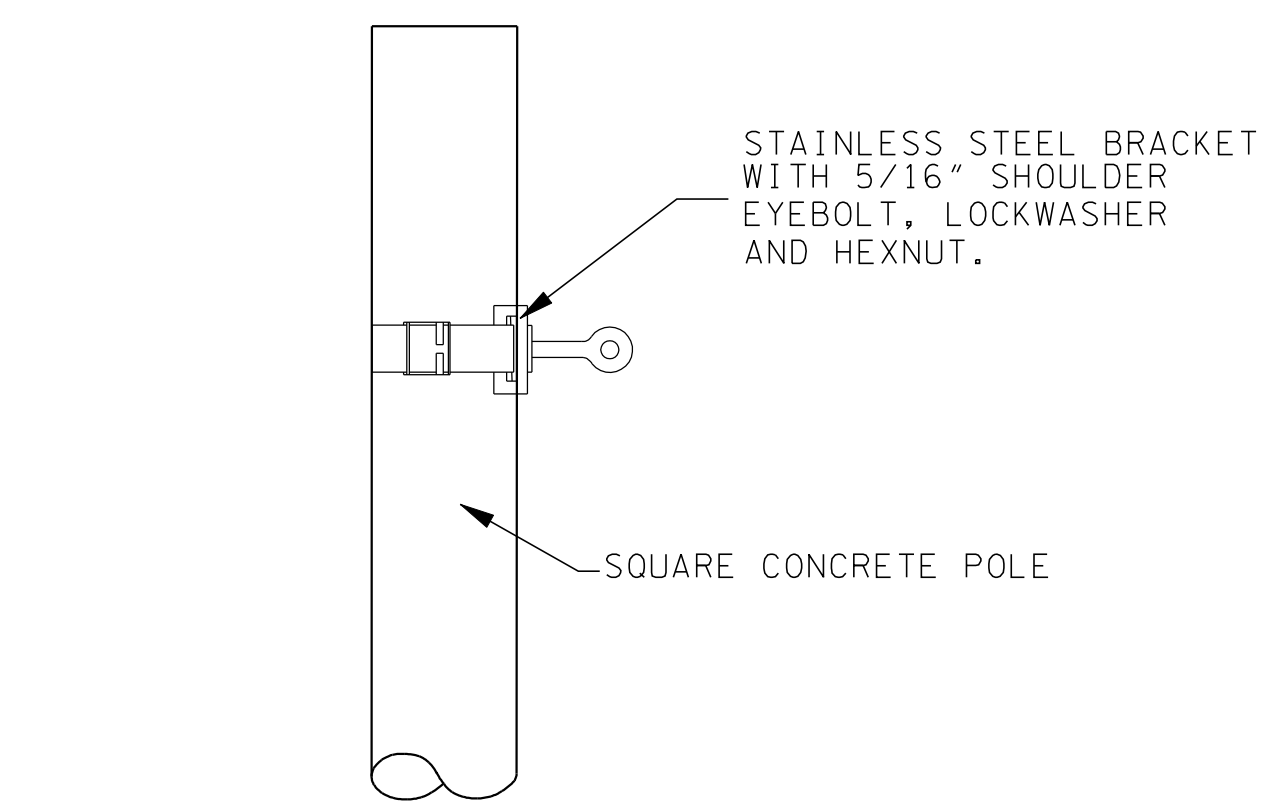
DETAIL A TENSION RING (TYP.)



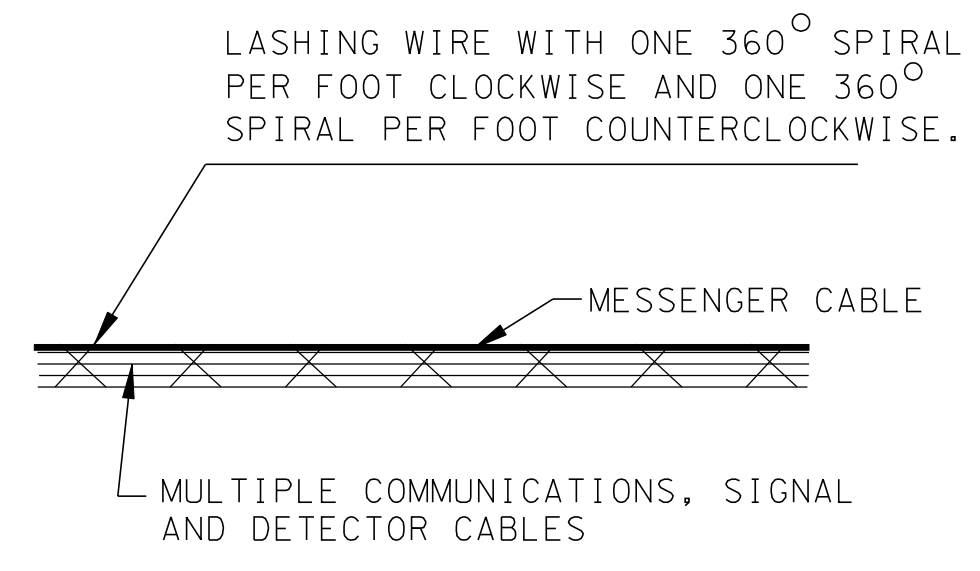
SUSPENDED BOX



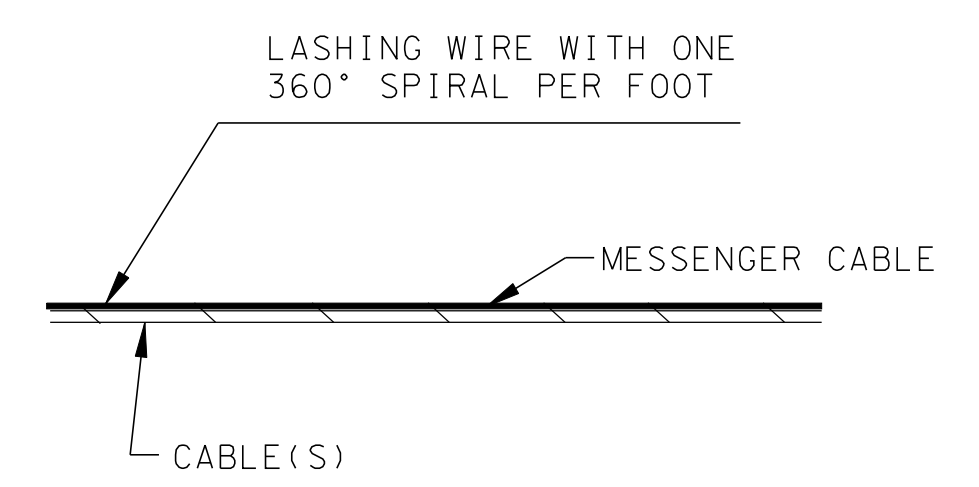
TYPICAL POLE ATTACHMENT FOR STEEL POLE



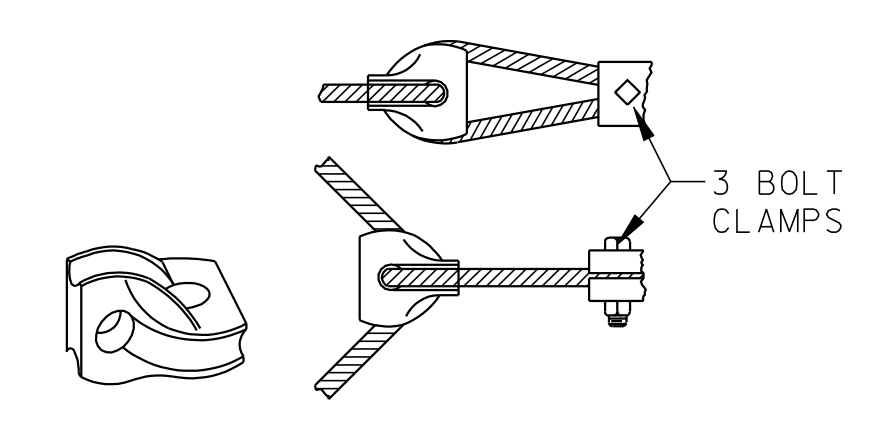
TYPICAL POLE ATTACHMENT FOR SQUARE CONCRETE POLE



DOUBLE LASHING DETAIL



TYPICAL LASHING DETAIL



DETAIL B STRAND CONNECTOR (ALT.)

MINOR REVISION -- FHWA APPROVAL NOT REQUIRED.

STATE OF TENNESSEE
DEPARTMENT OF TRANSPORTATION

SPAN WIRE AND MESSENGER CABLE DETAILS